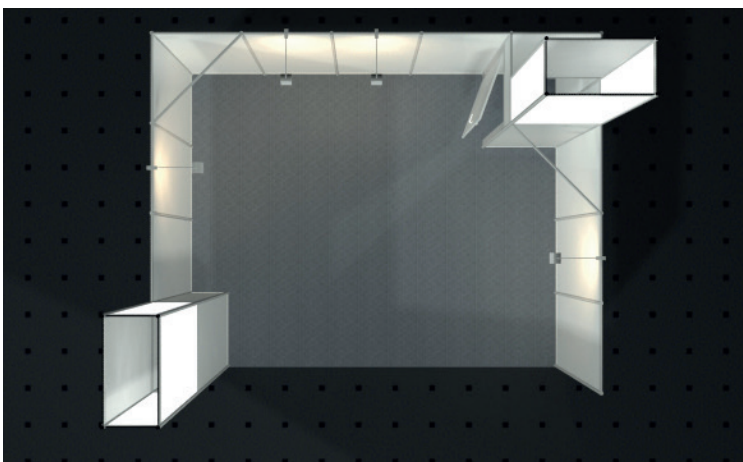


STAND CONSTRUCTION DETAILS

basic stand OCTA_Highlight



Example corner stand 6 x 4 m*



Example row stand 5 x 4 m



Example head stand 6 x 3 m

427 | OCTA_Highlight

This stand will see your advertising beam out at a height of up to 4.5 metres. Ideal for presenting your core message or company logo even from a distance.

Description

- Special feature: Tall, custom-printed*, backlit acrylic top-up wall¹ (top edge 4,50 m)
- for floor areas of at least 12sqm
- white walls, silver frames (Octanorm stand construction system)
- Walls suitable for signage*
- configurable as a row, corner or head stand (block stand possible on request)

Equipment

- lockable 1-sq-m booth
- coat rack, wastepaper basket
- 4 long arm spotlight*
- carpet standard colour gray, B1 flame-retardant, other colours possible

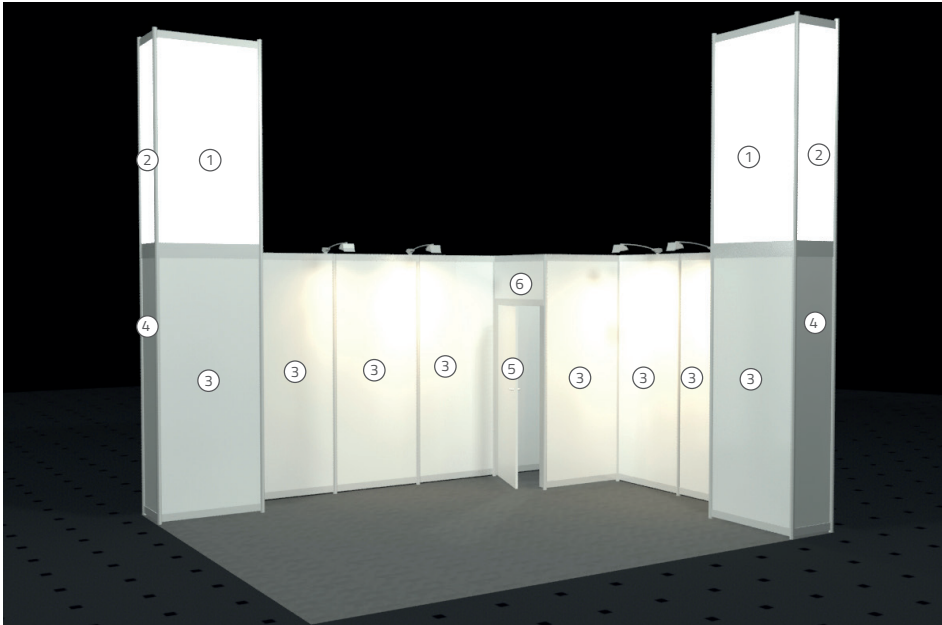
Expandable with furniture, accessories and technology. Our catalog is available for download!

[* Please note: All stand systems without lettering or stickers and without power connection. Please order separately!] www.creatyp.de, 2/2024

¹ unprinted half top-up wall are not backlit

STAND CONSTRUCTION DETAILS

basic stand OCTA_Highlight #427



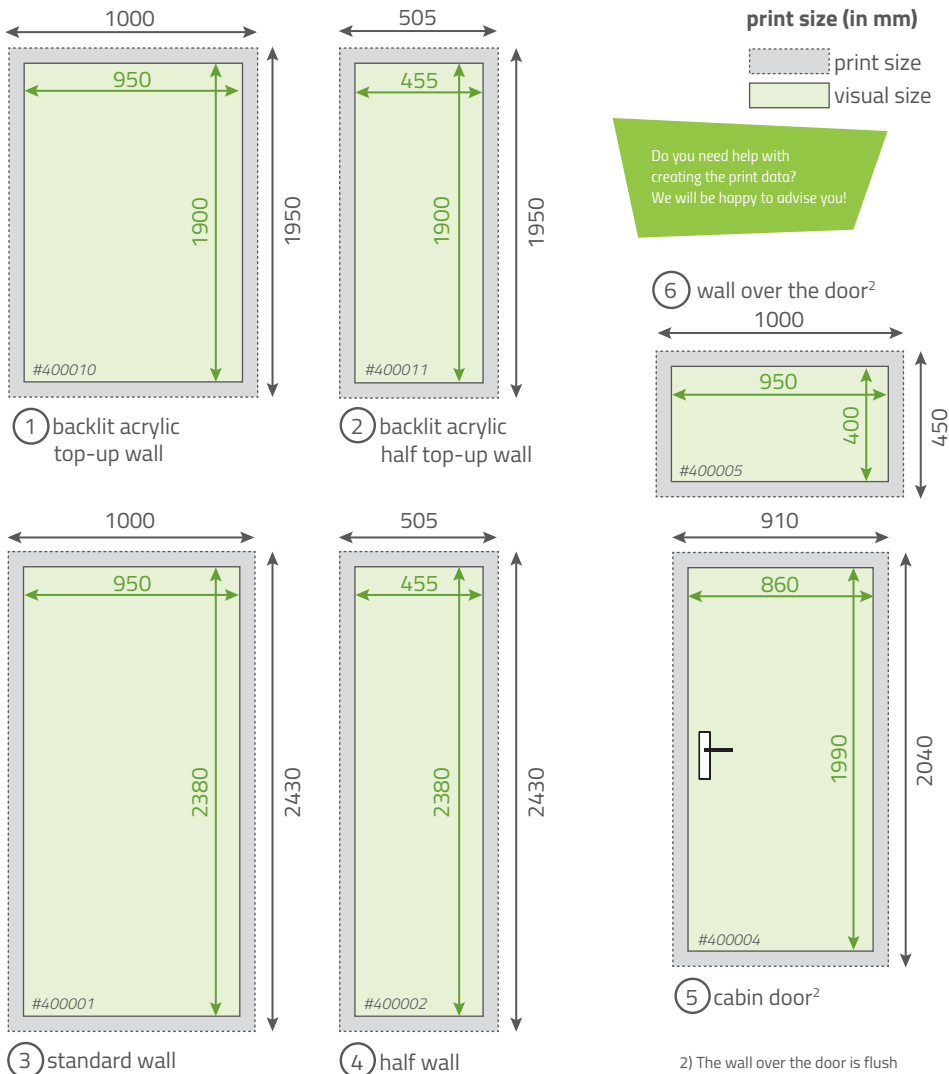
Attention: Picture shows example stand – please take size and appearance of your stand from the fair documents.

wall elements

- ① backlit acrylic top-up wall #400010
- ② backlit acrylic half top-up wall¹ #400011
- ③ standard wall #400001
- ④ half wall #400002
- ⑤ cabin door #400004
- ⑥ wall over the door #400005

¹ unprinted half top-up wall are not backlit

We would be pleased to submit you a non-binding offer for the **design and sticking** of your trade fair stand.



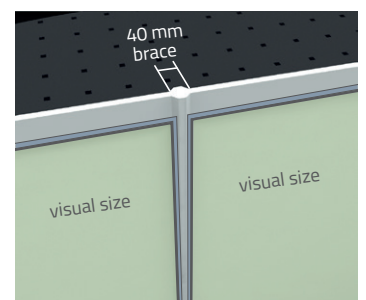
2) The wall over the door is flush with upper edge of standard wall. The distance between the wall over the door and cabin door= 50 mm (based on visible dimension).

If you like to create your print data by yourself, please note:

- 4/0-coloured in **CMYK**
- printable PDF, scale **1:1** with **at least 100 dpi** (or on a scale of 1:10)
- **no crop marks/print marks, no bleed addition** (please note the dimensions on this sheet)
- **design** covering several walls has to be layouted **as separate graphic for each wall**
- **please add an overall view** of the stand, so we can see the position of each graphic
- name print data: **#article_standnumber_client_visualsize.pdf**. (Example: #400001_1B12_samplecompany_950x2380.pdf)
- **NOTE:** The **item number** is stated in the **offer**

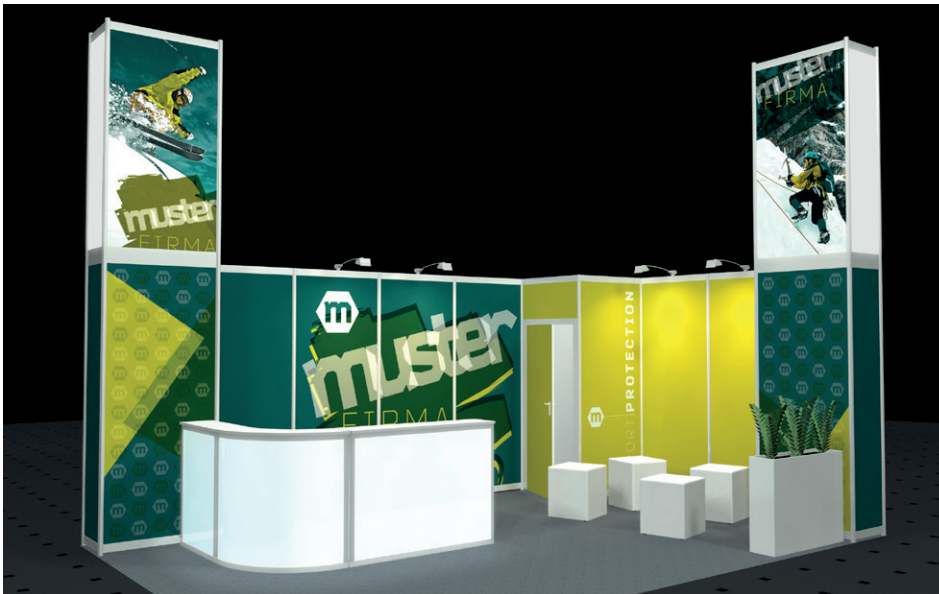
IMPORTANT:

- all elements **extending the visual size** will be covered by the stand system.
- stand walls will be disrupted by a brace of **40 mm**



STAND CONSTRUCTION DETAILS

basic stand OCTA_Highlight



Example for design and equipment*
corner stand 6 x 4 m



Example for design and equipment*
row stand 5 x 4 m

IMPORTANT

The examples on this page show optional features. They are not included in the basic price. We will be happy to advise you!

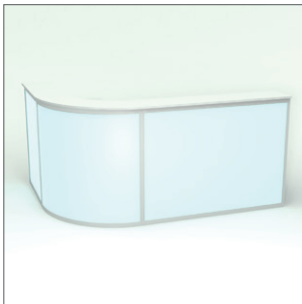


Example for design and equipment*
head stand 6 x 3 m

STAND CONSTRUCTION DETAILS

basic stand OCTA_Highlight

In addition to the basic stand, you may be interested in this rental furniture:



Item No. 489

Bar counter L-shape
(available only in Halle)

lockable with attachment,
backlit (color selectable)
215 x 125 x 145 cm



Item No. 524

PC-Standing table illuminated

lockable, incl. shelf, cable outlet
50 x 100 x 50 cm,
work surface: 70 x 70 cm



Stretch cover for high table

white Item No. 793
ecru Item No. 210041
yellow Item No. 210042
grey Item No. 210043
red Item No. 210044
green Item No. 210046
black Item No. 210047
blue Item No. 210048

Ø 80 cm, H: 112 cm



Item No. 202009

Bar stool TRITON

frame chrome, Sitz leather white
43 x 45 x 110 cm
seat height: 80 cm



Item No. 590

Leather stool Virginia

white
45 x 50 x 45 cm



Item No. 538

Z-Bar stool, black

frame chrome, leather black
Ø 35 cm, H: 79 cm



Item No. 424

TV stand

aluminium with glass shelf,
height adjustable up to 180 cm

